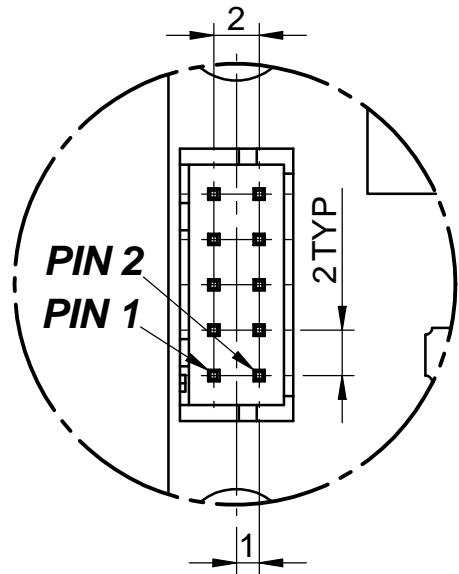


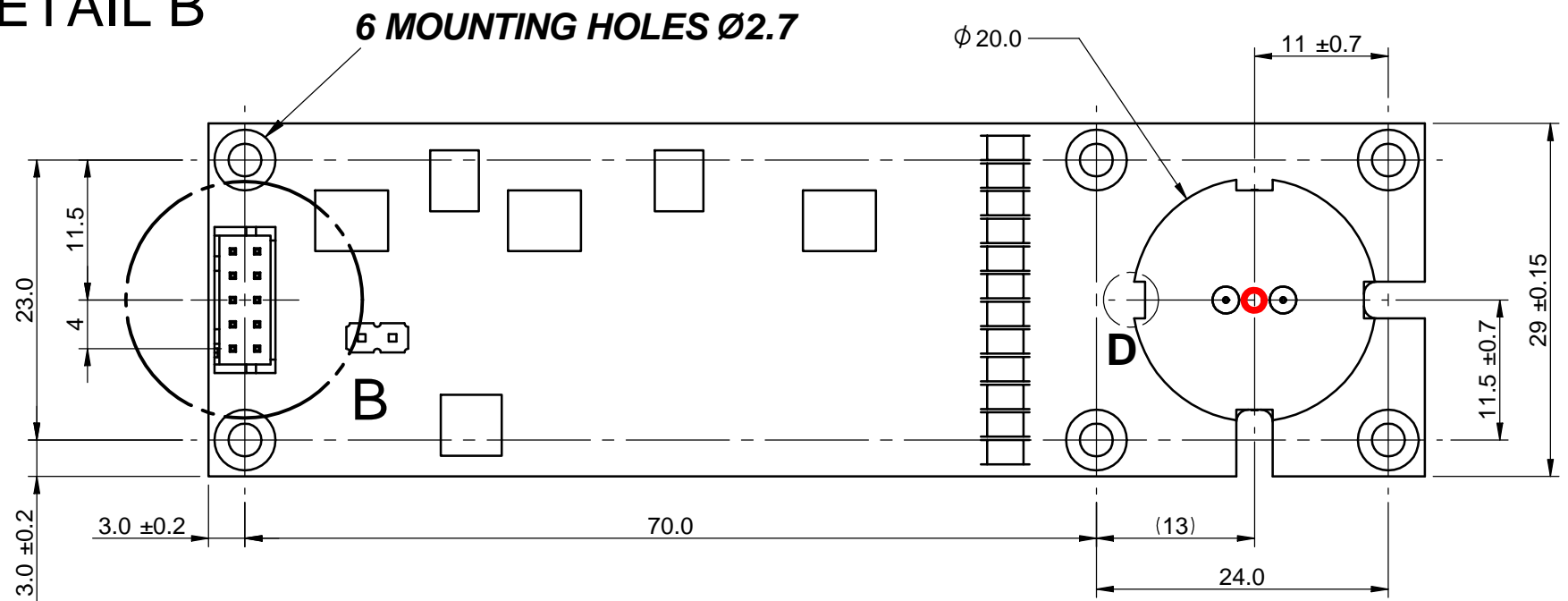
CONNECTOR:
HIROSE DF11-10DP-2DSA(01)

PIN No.	FUNCTION
1	GND
2	X+
3	X-
4	GND
5	Y+
6	Y-
7	GND
8	Z+
9	Z-
10	V+

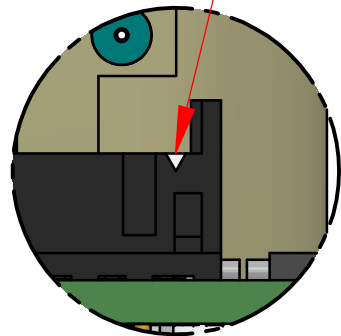
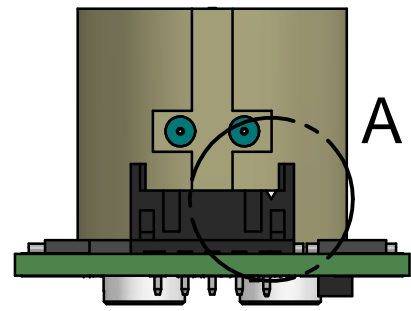


POLARITY MARKER

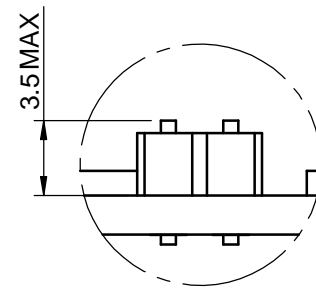
DETAIL B



○ - CENTRE OF SENSING ELEMENTS

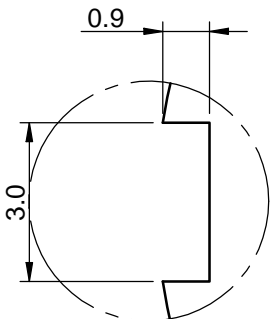
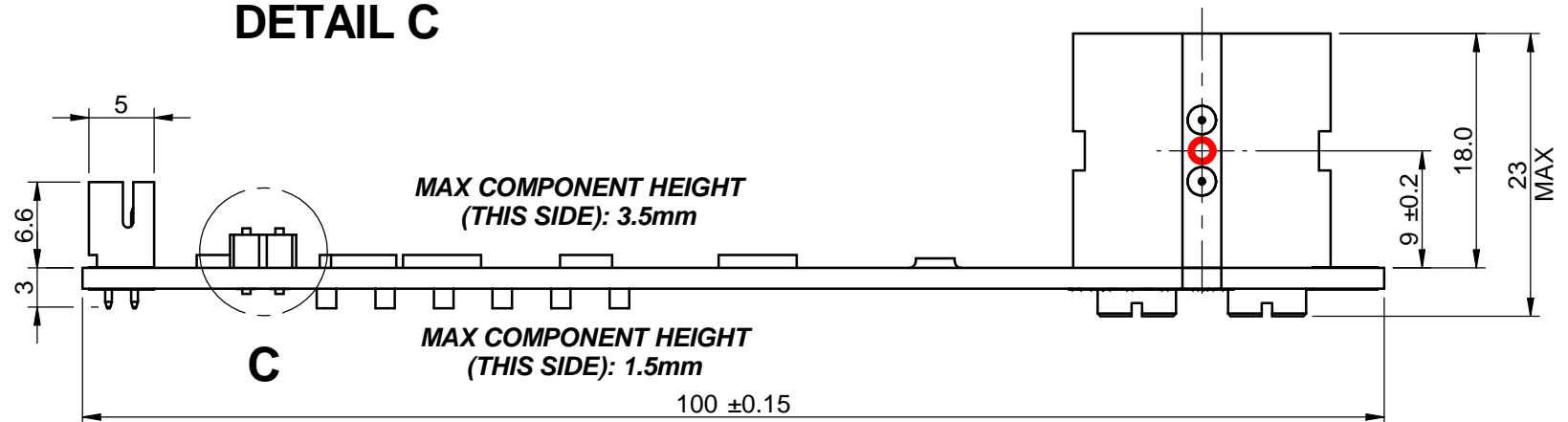


DETAIL A

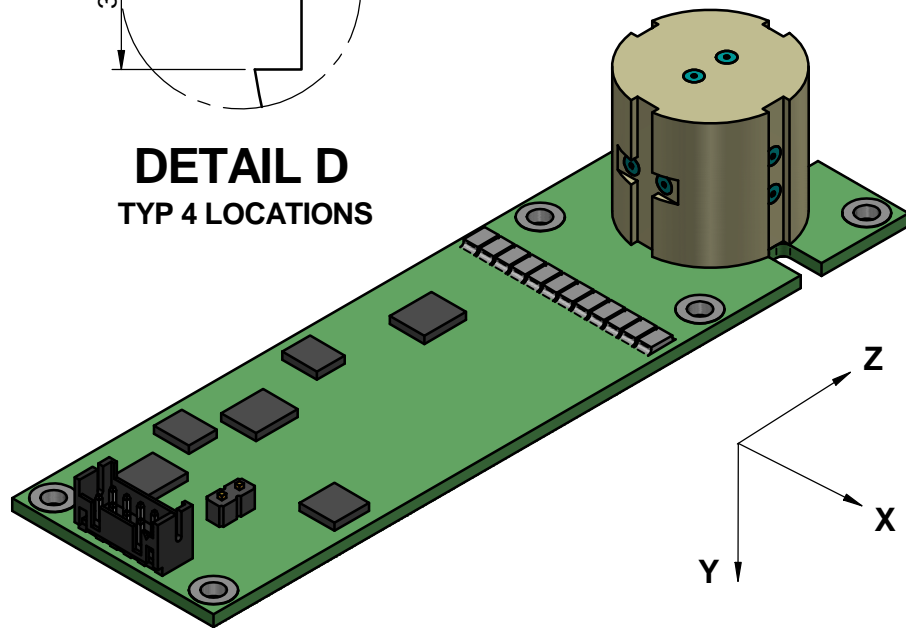


2-WAY HEADER:
BARTINGTON USE ONLY
PRODUCT WILL BE
SUPPLIED WITH THESE
PINS TRIMMED

DETAIL C



DETAIL D
TYP 4 LOCATIONS

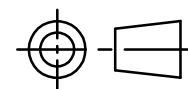


Bartington
Instruments

COPYRIGHT: THIS DRAWING AND THE INFORMATION CONTAINED THEREIN IS CONFIDENTIAL AND MUST NOT BE REPRODUCED, COPIED OR USED FOR ANY PURPOSE WHATSOEVER WITHOUT THE PRIOR PERMISSION OF BARTINGTON INSTRUMENTS LTD.

DIMENSIONS ARE IN MILLIMETERS

THIRD ANGLE PROJECTION



TOLERANCES FOR MACHINING:
(UNLESS OTHERWISE SPECIFIED)

LINEAR:	ANGULAR:
XX ±0.3mm	XX ±0.5°
XX.X ±0.1mm	XX.X ±0.1°
XX.XX ±0.05mm	XX.XX ±0.05°

TITLE

Mag651
Outline Drawing

TECHNICAL INFORMATION No.	TI3844
OPERATION MANUAL No.	OM3844
DATASHEET No.	DS3844

USED ON

PROJECT No
D1508

DRAWN	<i>Daniel Cetnik</i>	18/02/2013
MODIFIED	<i>Nicholas Avery</i>	21/04/2016
MECH' CHECK	<i>Daniel Cetnik</i>	21/04/2016
ELEC' CHECK	<i>Daniel Cetnik</i>	21/04/2016
DRAWING No	DR3063	ISSUE 6
SEE DCN NUMBER FOR DESIGN CHANGE HISTORY		