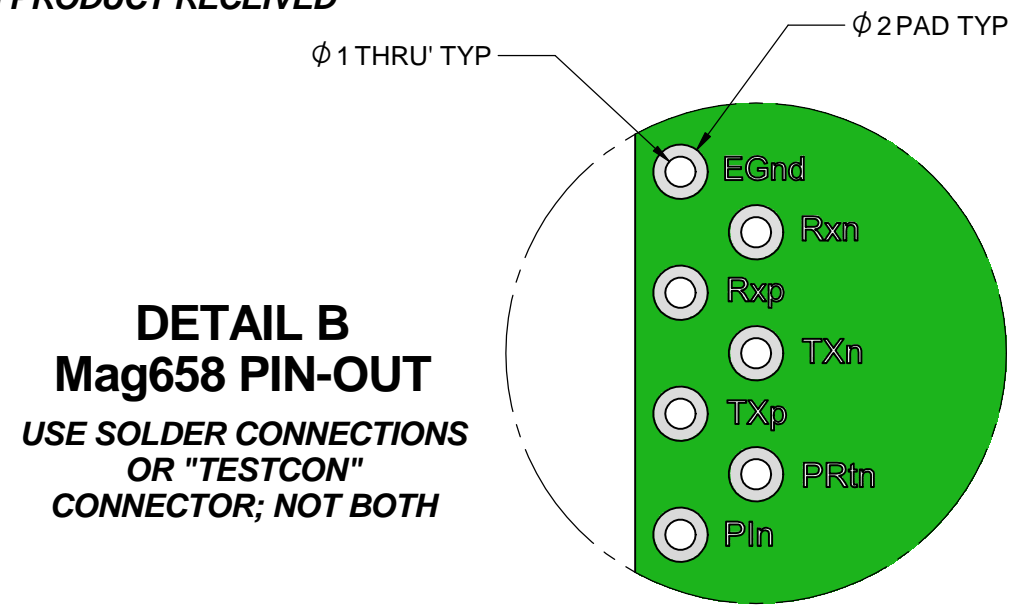
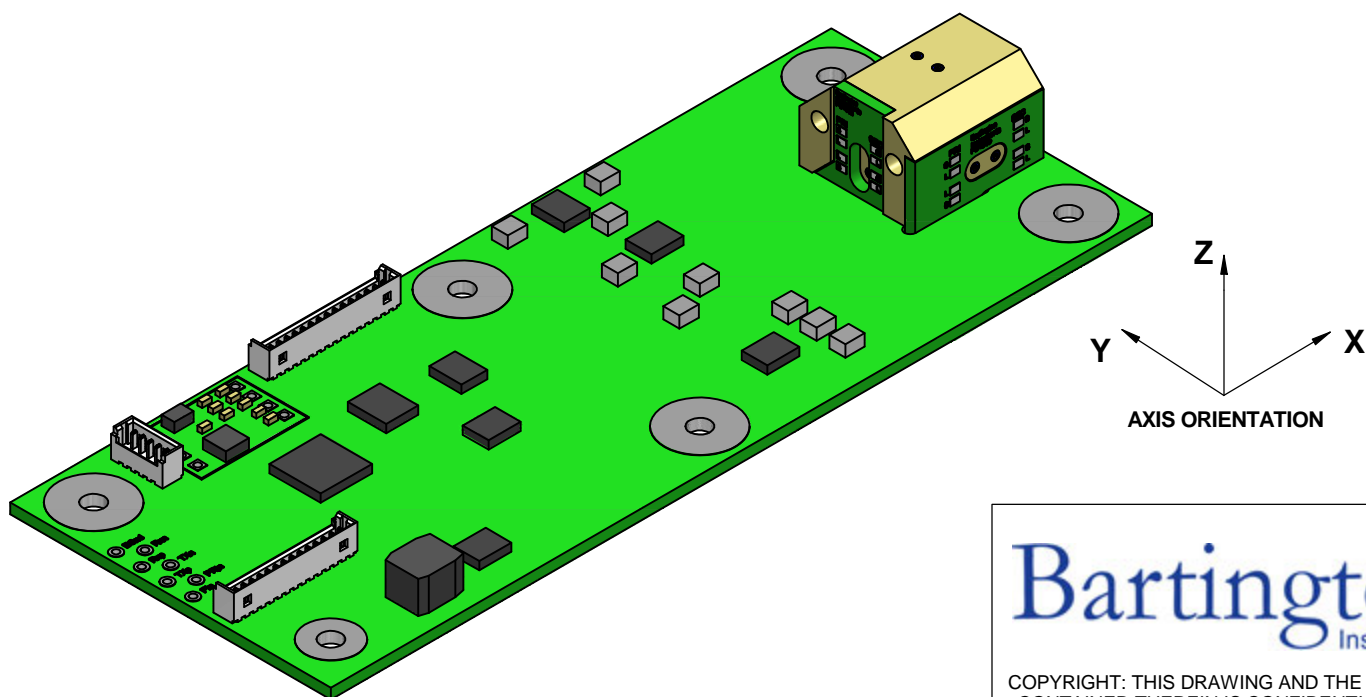
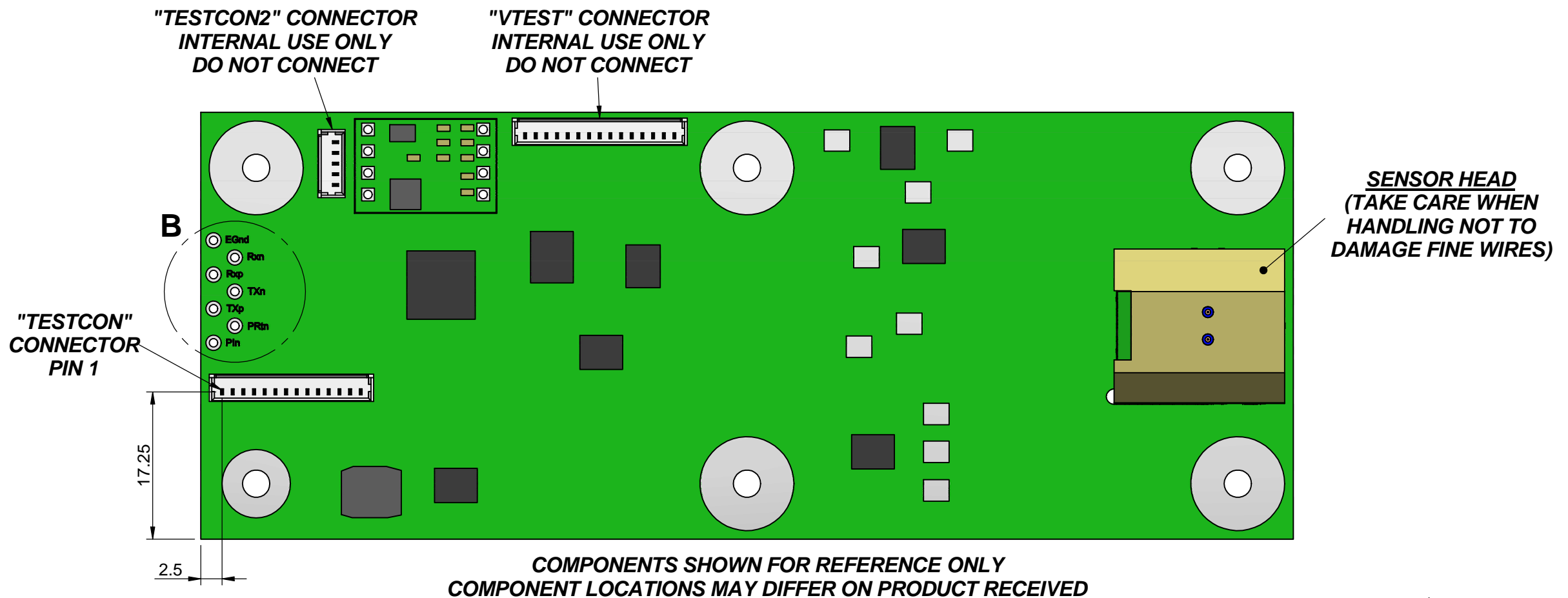


● - CENTER OF SENSING ELEMENTS

<p>COPYRIGHT: THIS DRAWING AND THE INFORMATION CONTAINED THEREIN IS CONFIDENTIAL AND MUST NOT BE REPRODUCED, COPIED OR USED FOR ANY PURPOSE WHATSOEVER WITHOUT THE PRIOR PERMISSION OF BARTINGTON INSTRUMENTS LTD.</p>	<p>DIMENSIONS ARE IN MILLIMETERS</p> <p>THIRD ANGLE PROJECTION </p> <p>TOLERANCES FOR MACHINING: (UNLESS OTHERWISE SPECIFIED)</p> <table> <tr> <td>LINEAR:</td> <td>ANGULAR:</td> </tr> <tr> <td>XX ±0.3mm</td> <td>XX ±0.5°</td> </tr> <tr> <td>XX.X ±0.1mm</td> <td>XX.X ±0.1°</td> </tr> <tr> <td>XX.XX ±0.05mm</td> <td>XX.XX ±0.05°</td> </tr> </table>	LINEAR:	ANGULAR:	XX ±0.3mm	XX ±0.5°	XX.X ±0.1mm	XX.X ±0.1°	XX.XX ±0.05mm	XX.XX ±0.05°	<p>TITLE</p> <p>Mag658 Outline Drawing</p>	<p>USED ON</p> <table> <tr> <td>DRAWN</td> <td>Daniel Cetnik</td> <td>27/01/2014</td> </tr> <tr> <td>MODIFIED</td> <td>Daniel Cetnik</td> <td>27/01/2015</td> </tr> <tr> <td>MECH' CHECK</td> <td>Arhamis Lazaro</td> <td>27/01/2015</td> </tr> <tr> <td>ELEC' CHECK</td> <td>Adrian Swinton</td> <td>27/01/2015</td> </tr> </table>	DRAWN	Daniel Cetnik	27/01/2014	MODIFIED	Daniel Cetnik	27/01/2015	MECH' CHECK	Arhamis Lazaro	27/01/2015	ELEC' CHECK	Adrian Swinton	27/01/2015	<p>PROJECT No</p> <p>D656</p>
	LINEAR:	ANGULAR:																						
XX ±0.3mm	XX ±0.5°																							
XX.X ±0.1mm	XX.X ±0.1°																							
XX.XX ±0.05mm	XX.XX ±0.05°																							
DRAWN	Daniel Cetnik	27/01/2014																						
MODIFIED	Daniel Cetnik	27/01/2015																						
MECH' CHECK	Arhamis Lazaro	27/01/2015																						
ELEC' CHECK	Adrian Swinton	27/01/2015																						
<p>TECHNICAL INFORMATION No. TI2841</p> <p>OPERATION MANUAL No. OM2841</p> <p>DATASHEET No. DS2841</p>	<p>DRAWING No DR2841</p> <p>ISSUE 1</p> <p>SEE DCN NUMBER FOR DESIGN CHANGE HISTORY</p>																							

MOLEX PICOBLADE 53047-1410 "TESTCON"	
PIN	FUNCTION
1	PWR_IN
2	PWR_RTN
3	TX+
4	TX-
5	RX+
6	RX-
7	DO NOT CONNECT
8	DO NOT CONNECT
9	DO NOT CONNECT
10	DO NOT CONNECT
11	DO NOT CONNECT
12	DO NOT CONNECT
13	DO NOT CONNECT
14	DO NOT CONNECT



<p>Bartington Instruments</p> <p><small>COPYRIGHT: THIS DRAWING AND THE INFORMATION CONTAINED THEREIN IS CONFIDENTIAL AND MUST NOT BE REPRODUCED, COPIED OR USED FOR ANY PURPOSE WHATSOEVER WITHOUT THE PRIOR PERMISSION OF BARTINGTON INSTRUMENTS LTD.</small></p>	<p>DIMENSIONS ARE IN MILLIMETERS</p> <p>THIRD ANGLE PROJECTION </p> <p>TOLERANCES FOR MACHINING: (UNLESS OTHERWISE SPECIFIED)</p> <table> <tr> <td>LINEAR:</td> <td>ANGULAR:</td> </tr> <tr> <td>XX ±0.3mm</td> <td>XX ±0.5°</td> </tr> <tr> <td>XX.X ±0.1mm</td> <td>XX.X ±0.1°</td> </tr> <tr> <td>XX.XX ±0.05mm</td> <td>XX.XX ±0.05°</td> </tr> </table>	LINEAR:	ANGULAR:	XX ±0.3mm	XX ±0.5°	XX.X ±0.1mm	XX.X ±0.1°	XX.XX ±0.05mm	XX.XX ±0.05°	<p>TITLE</p> <p>Mag658 Outline Drawing</p>	<p>USED ON</p> <table> <tr> <td>DRAWN</td> <td>Daniel Cetnik</td> <td>27/01/2014</td> </tr> <tr> <td>MODIFIED</td> <td>Daniel Cetnik</td> <td>27/01/2015</td> </tr> <tr> <td>MECH' CHECK</td> <td>Arhamis Lazaro</td> <td>27/01/2015</td> </tr> <tr> <td>ELEC' CHECK</td> <td>Adrian Swinton</td> <td>27/01/2015</td> </tr> </table>	DRAWN	Daniel Cetnik	27/01/2014	MODIFIED	Daniel Cetnik	27/01/2015	MECH' CHECK	Arhamis Lazaro	27/01/2015	ELEC' CHECK	Adrian Swinton	27/01/2015	<p>PROJECT No D656</p>
	LINEAR:	ANGULAR:																						
XX ±0.3mm	XX ±0.5°																							
XX.X ±0.1mm	XX.X ±0.1°																							
XX.XX ±0.05mm	XX.XX ±0.05°																							
DRAWN	Daniel Cetnik	27/01/2014																						
MODIFIED	Daniel Cetnik	27/01/2015																						
MECH' CHECK	Arhamis Lazaro	27/01/2015																						
ELEC' CHECK	Adrian Swinton	27/01/2015																						
<p><small>COPYRIGHT: THIS DRAWING AND THE INFORMATION CONTAINED THEREIN IS CONFIDENTIAL AND MUST NOT BE REPRODUCED, COPIED OR USED FOR ANY PURPOSE WHATSOEVER WITHOUT THE PRIOR PERMISSION OF BARTINGTON INSTRUMENTS LTD.</small></p>	<p>TECHNICAL INFORMATION No. TI2841</p> <p>OPERATION MANUAL No. OM2841</p> <p>DATASHEET No. DS2841</p>	<p>DRAWING No DR2841</p> <p>ISSUE 1</p> <p>SEE DCN NUMBER FOR DESIGN CHANGE HISTORY</p>																						