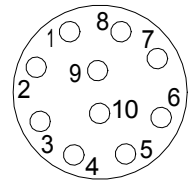
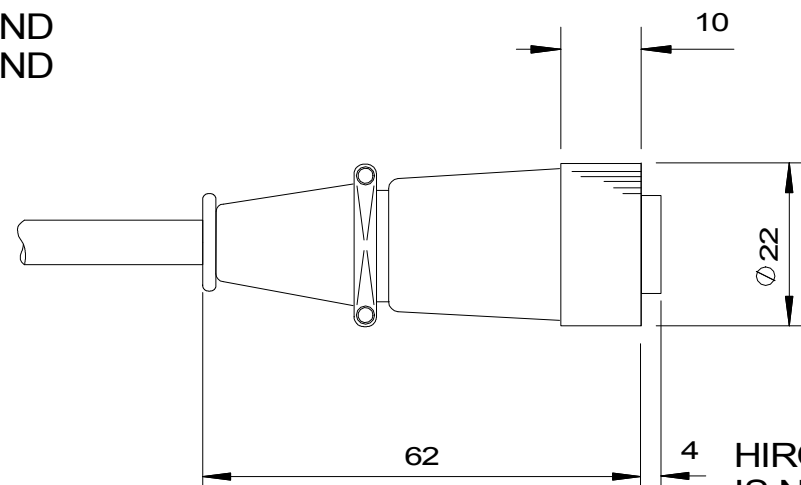
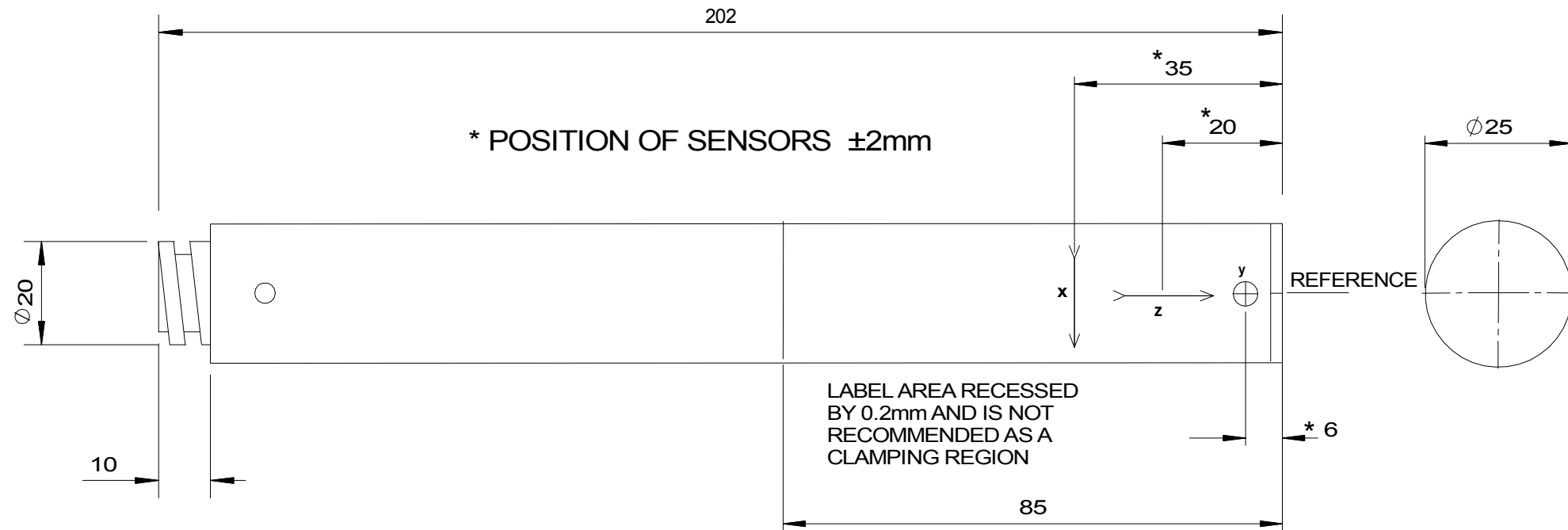


RM15TRD10P HIROSE
FIXED PLUG (PINS)



PIN No. FUNCTION

- 1 X OUT
- 2 Y OUT
- 3 Z OUT
- 4 SIGNAL/POWER GROUND
- 5 SIGNAL/POWER GROUND
- 6 +12V SUPPLY
- 7 -12V SUPPLY
- 8,9,10 N.C.



RM15TPD10S HIROSE
SOCKET WITH SHROUD
FITTED

HIROSE RM15TPD10S
IS NOT FULLY ENVIRONMENTALLY
SEALED

Bartington
instruments

COPYRIGHT: THIS DRAWING AND THE INFORMATION CONTAINED THEREIN IS CONFIDENTIAL AND MUST NOT BE REPRODUCED, COPIED OR USED FOR ANY PURPOSE WHATSOEVER WITHOUT THE PRIOR PERMISSION OF BARTINGTON INSTRUMENTS LTD.

THIRD ANGLE PROJECTION

DIMS IN mm

SCALE 1=1

UNTOLERANCED DIMENSIONS ± 0.3
ANGLES ± 0.5

SURFACE TEXTURE 1.6 μm

MATERIAL

PROTECTIVE FINISH

CHECKED

CUSTOMER

USED ON

OM1004

PROJECT No.

DRAWN

TITLE

**Mag-03MC MECH. CONSTRUCTION
HIROSE VERSION**

ISSUE

3

SEE AMENDMENT RECORD FOR CHANGE HISTORY

DRAWING No.

DR0657

A

B

C

D

E

A
3