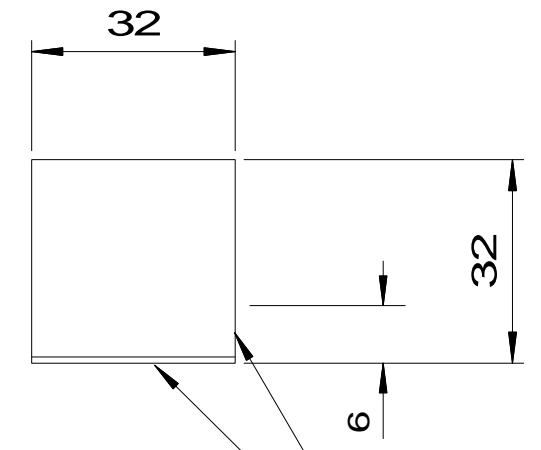
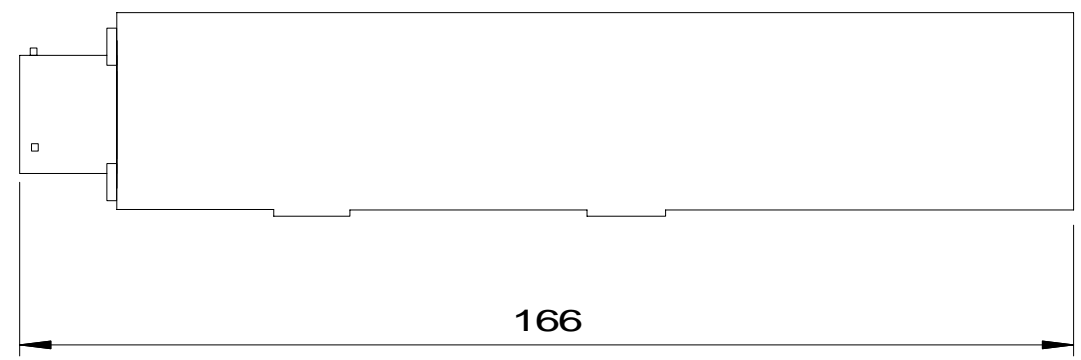
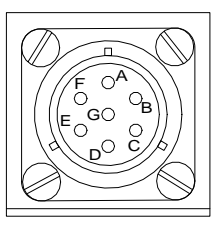


POSITION OF SENSING ELEMENTS ±2mm
MAGNETIC AXES PASS THROUGH CENTRELINES

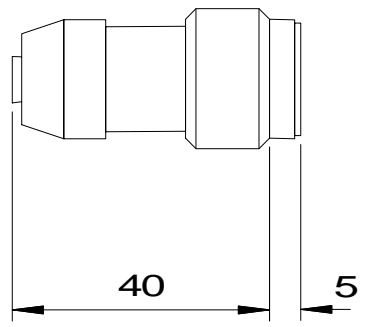
- | PIN No. | FUNCTION |
|---------|---------------------|
| A | X OUTPUT |
| B | Y OUTPUT |
| C | Z OUTPUT |
| D | SIGNAL/POWER GROUND |
| E | SIGNAL/POWER GROUND |
| F | +12V SUPPLY |
| G | -12V SUPPLY |



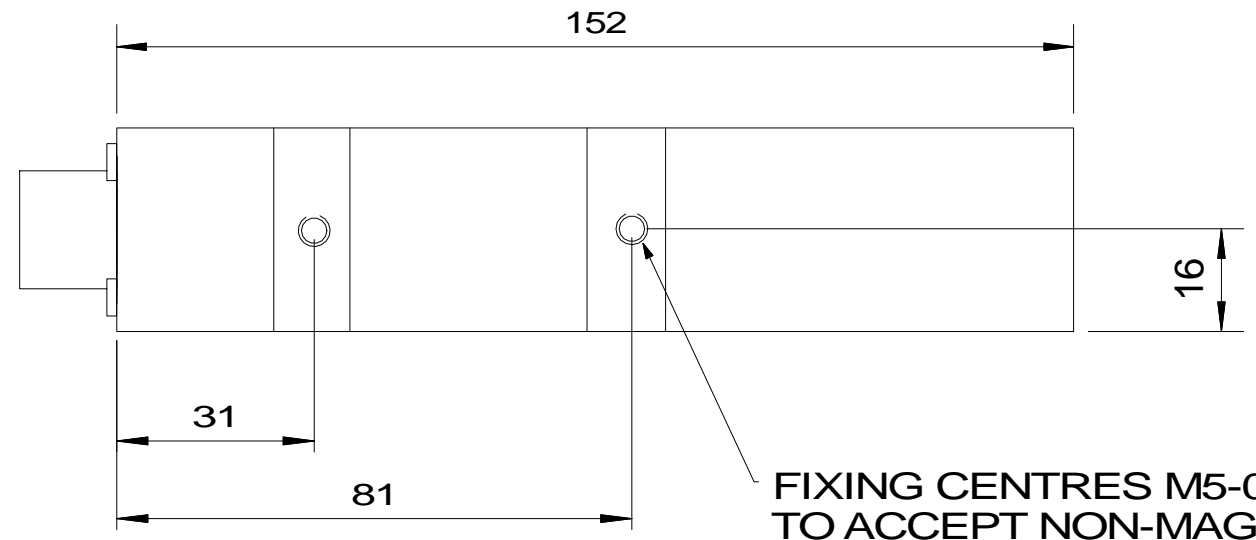
AMPHENOL FIXED PLUG



THIS EDGE & TWO UNDERSIDE FACES ARE DATUMS



MATING CONNECTOR
AMPHENOL SOCKET
WITH SHROUD



FIXING CENTRES M5-0.8-6H
TO ACCEPT NON-MAGNETIC SCREWS
ABSOLUTE MAXIMUM LENGTH 16mm.

<p>COPYRIGHT: THIS DRAWING AND THE INFORMATION CONTAINED THEREIN IS CONFIDENTIAL AND MUST NOT BE REPRODUCED, COPIED OR USED FOR ANY PURPOSE WHATSOEVER WITHOUT THE PRIOR PERMISSION OF BARTINGTON INSTRUMENTS LTD.</p>	<p>THIRD ANGLE PROJECTION</p>	<p>DIMS IN mm</p> <p>SCALE 1=1</p>	<p>CHECKED</p>	<p>CUSTOMER</p>	<p>USED ON</p> <p>OM1004</p>	<p>PROJECT No.</p> <p>Mag-03MC</p>
	<p>UNTOLERANCED DIMENSIONS ± 0.3</p> <p>ANGLES ± 0.5°</p>	<p>SURFACE TEXTURE</p> <p>1.6 μm</p>			<p>DRAWN</p>	<p>TITLE</p> <p>Mag-03MSES OUTLINE WITH MATING CONNECTOR</p>
	<p>MATERIAL</p>	<p>PROTECTIVE FINISH</p>	<p>DRAWING No.</p> <p>DR1255</p>			

A
B
C
D
E
A
3