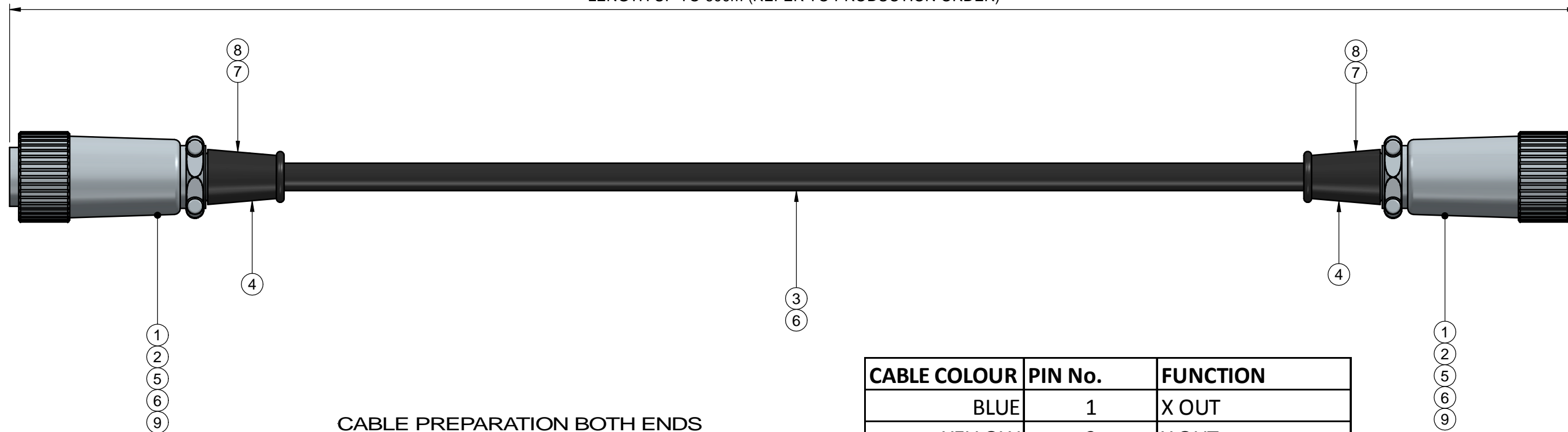
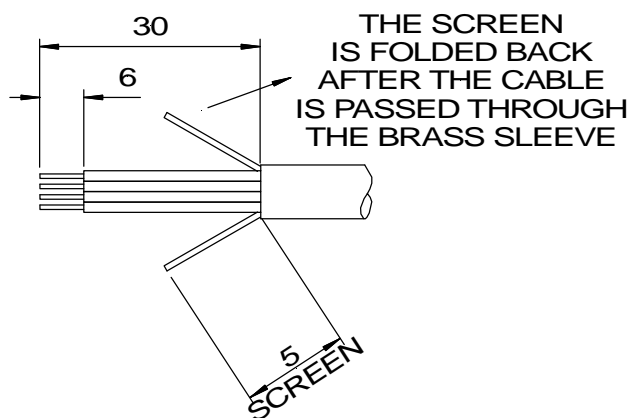


LENGTH UP TO 600m (REFER TO PRODUCTION ORDER)



CABLE PREPARATION BOTH ENDS



CABLE COLOUR	PIN No.	FUNCTION
BLUE	1	X OUT
YELLOW	2	Y OUT
WHITE	3	Z OUT
GREEN	4	SIG/PWR GROUND
BROWN	5	SIG/PWR GROUND
RED	6	+12V SUPPLY
BLACK	7	-12V SUPPLY
	8, 9, 10	N.C.
VIOLET		NOT USED
BRAID	CONN' BODY	SCREEN

SEE ALSO:
DR0053
DR0839
DR2428

<p>COPYRIGHT: THIS DRAWING AND THE INFORMATION CONTAINED THEREIN IS CONFIDENTIAL AND MUST NOT BE REPRODUCED, COPIED OR USED FOR ANY PURPOSE WHATSOEVER WITHOUT THE PRIOR PERMISSION OF BARTINGTON INSTRUMENTS LTD.</p>	<p>DIMENSIONS ARE IN MILLIMETERS REMOVE ALL SHARP EDGES & BURRS</p>	<p>TITLE</p> <p>Mag-03MC Shielded Cable Assembly</p>	<p>USED ON</p> <p>Mag-03MC</p>	<p>PROJECT No</p> <p>Mag-03</p>
	<p>THIRD ANGLE PROJECTION</p>		<p>MATERIAL</p> <p>PL1570</p>	<p>DRAWN</p> <p>Les Anderson</p>
<p>TOLERANCES FOR MACHINING: (UNLESS OTHERWISE SPECIFIED)</p> <p>LINEAR: ANGULAR:</p> <p>XX ±0.3mm XX ±0.5°</p> <p>XX.X ±0.1mm XX.X ±0°30'</p> <p>XX.XX ±0.05mm XX.XX ±0°00'30"</p>	<p>SURFACE TEXTURE</p> <p>µm</p>	<p>MATERIAL FINISH</p>	<p>MODIFIED</p> <p>Daniel Cetnik</p>	<p>06/03/2014</p>
			<p>CHECKED</p> <p>Munir Khaled</p>	<p>06/03/2014</p>
			<p>SAGE/PART No</p> <p>SC-03-10-7xxx...</p>	
			<p>DRAWING No</p> <p>DR1570</p>	<p>ISSUE</p> <p>8</p>
			<p>SEE DCN NUMBER FOR DESIGN CHANGE HISTORY</p>	