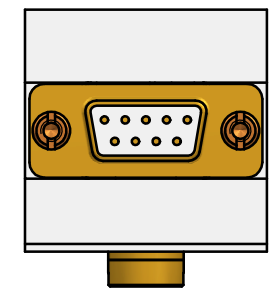
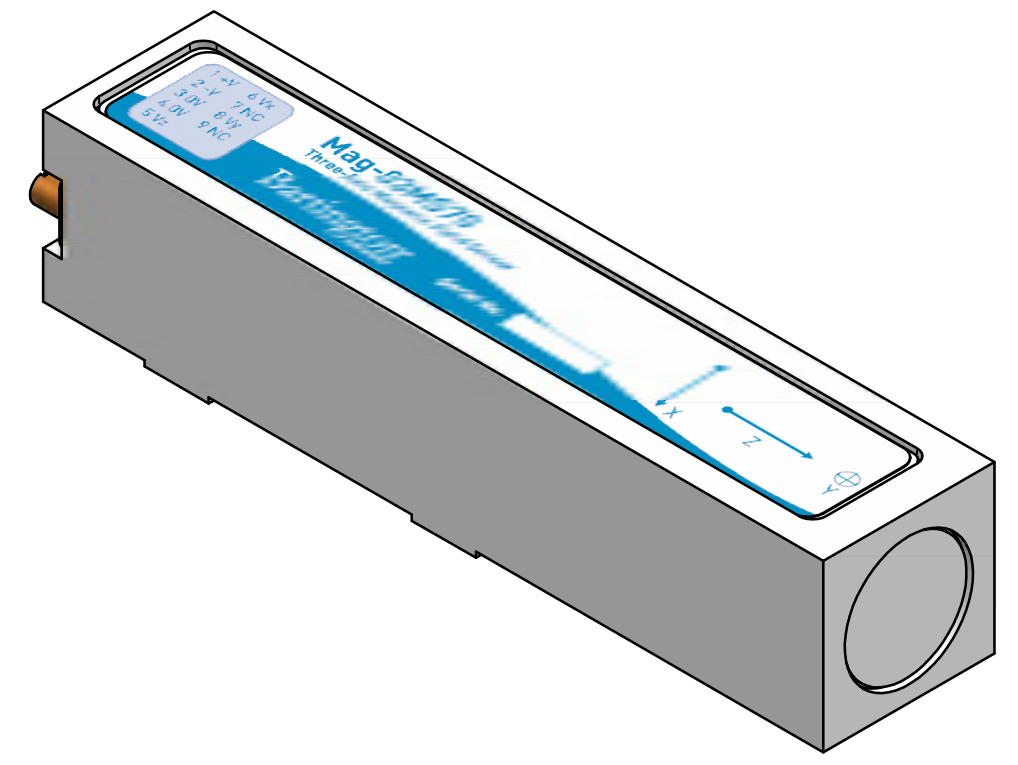


DCN NUMBER

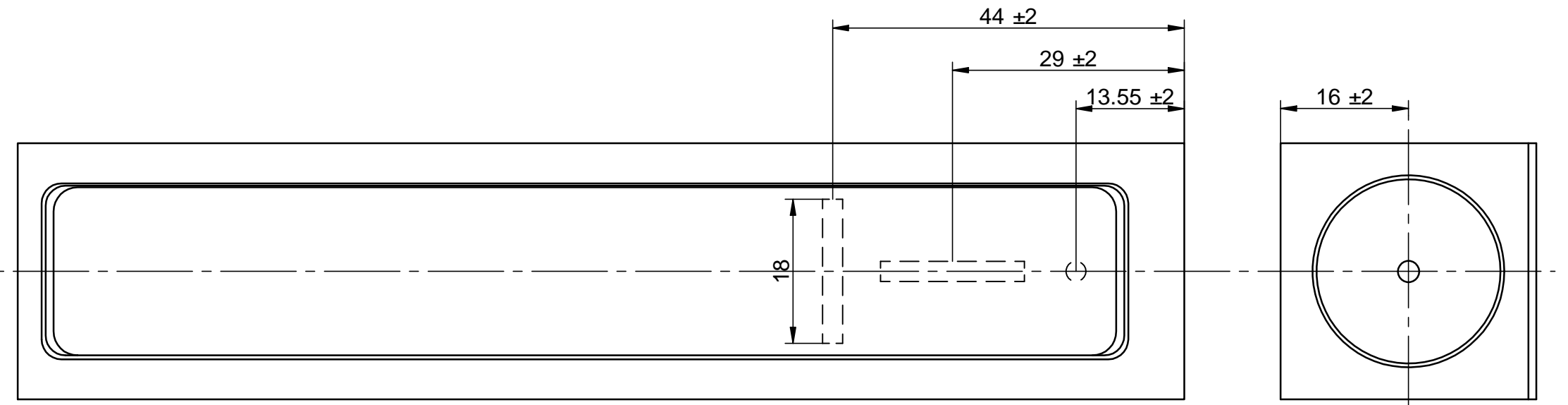
DO NOT SCALE

FOR EXPLANATION OF DIMENSIONING ETC. REFER TO BS 308



D-TYPE 9-WAY PLUG

PIN	FUNCTION
1	+V
2	-V
3	0V
4	0V
5	Vz
6	Vx
7	NC
8	Vy
9	NC



SENSOR POSITIONING



COPYRIGHT: THIS DRAWING AND THE INFORMATION CONTAINED THEREIN IS CONFIDENTIAL AND MUST NOT BE REPRODUCED, COPIED OR USED FOR ANY PURPOSE WHATSOEVER WITHOUT THE PRIOR PERMISSION OF BARTINGTON INSTRUMENTS LTD.

THIRD ANGLE PROJECTION	
UNTOLERANCED:	
DIMENSIONS	±0.1
ANGLES	±0.5
MATERIAL	PL0095

DIMENSIONS IN mm	
ORIGINAL SCALE	NTS
SURFACE TEXTURE	µm
PROTECTIVE FINISH:	

CHECKED	<i>Olivier Masegla</i>
DRAWN	<i>Daniel Cetnik</i>

CONFIDENTIALITY	
TITLE	Mag-03MS Outline Drawing

USED ON	PM0095	PROJECT No	Mag-03
DATE DRAWN	16/02/2011		
DATE MODIFIED	02/03/2011		
DRAWING No	DR2587	ISSUE	1
			SEE DCN NUMBER FOR DESIGN CHANGE HISTORY