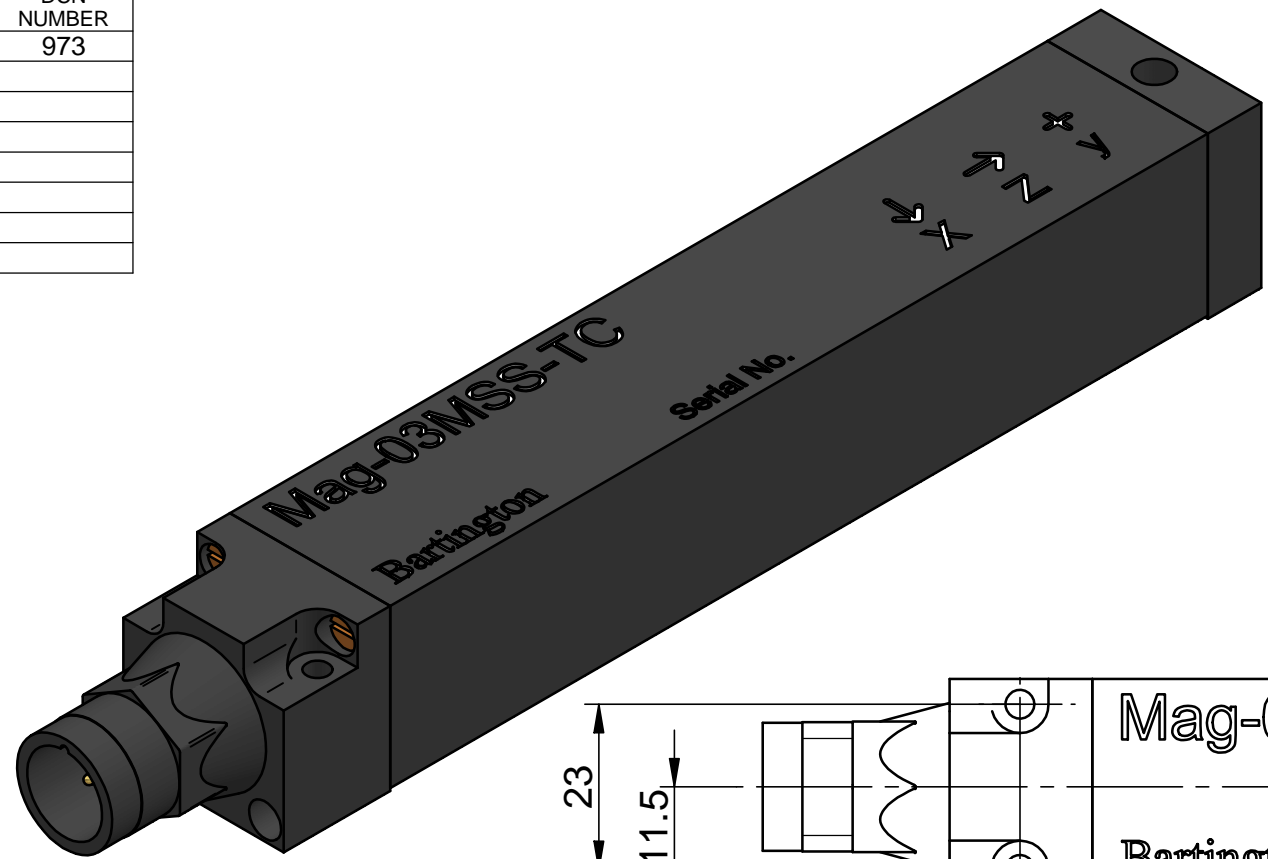
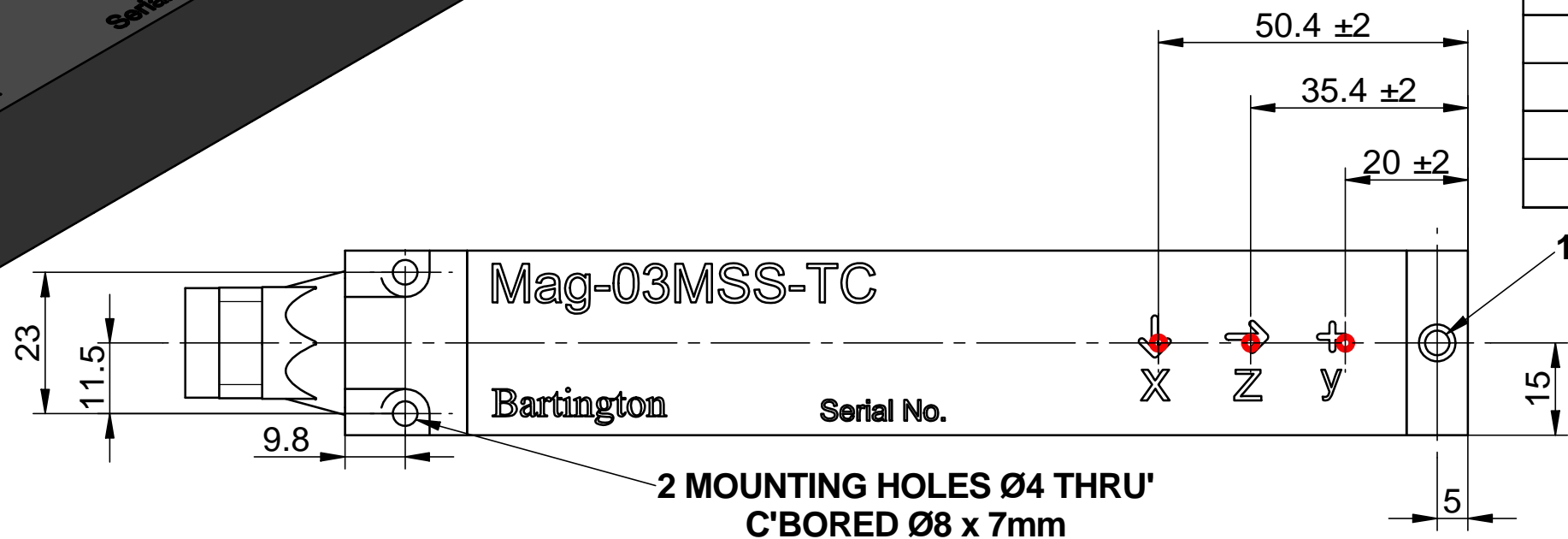


DCN NUMBER
973



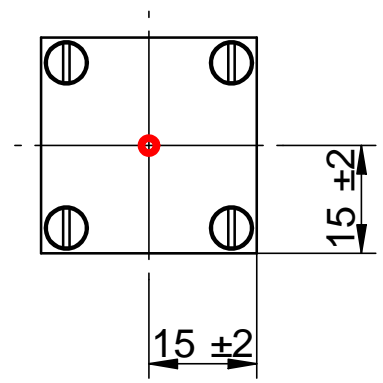
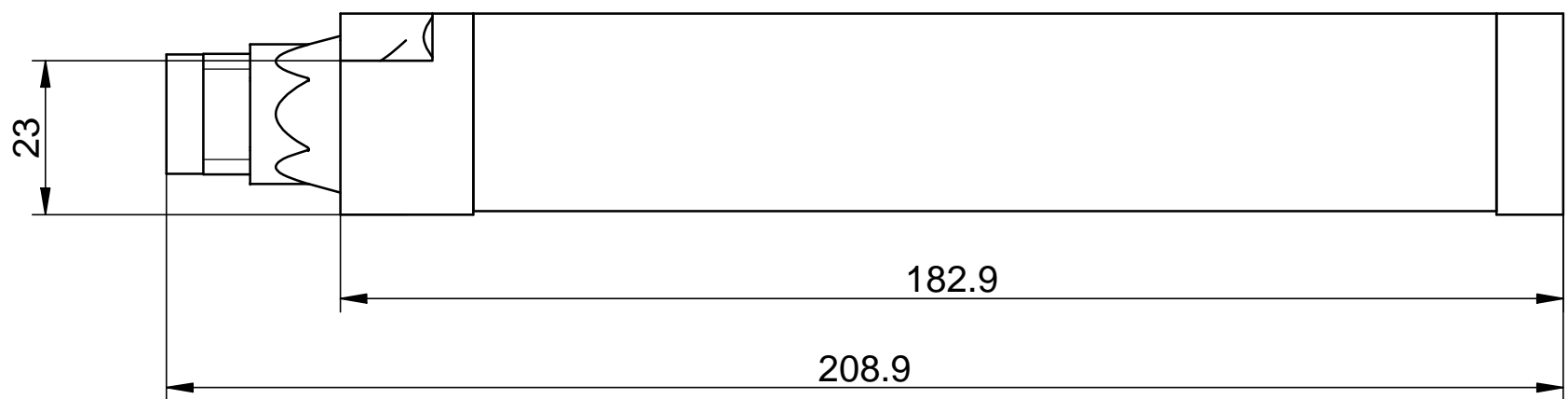
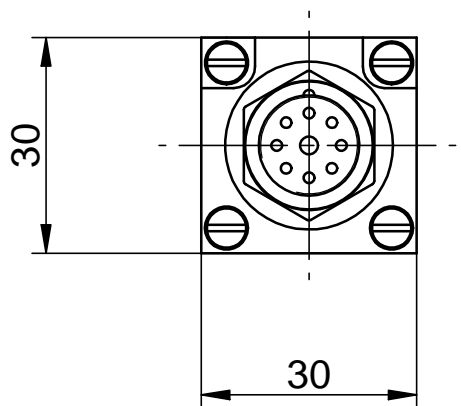
XSJ-9-BCR	
PIN No.	FUNCTION
1	X OUT
2	Y OUT
3	Z OUT
4	SIGNAL/POWER GND
5	SIGNAL/POWER GND
6	+12V SUPPLY
7	-12V SUPPLY
8	TEST INPUT
9	N.C.



1 MOUNTING HOLES Ø4 THRU' C'BORED Ø6 x 8mm

2 MOUNTING HOLES Ø4 THRU' C'BORED Ø8 x 7mm

● CENTER OF SENSING ELEMENTS



Bartington
Instruments

COPYRIGHT: THIS DRAWING AND THE INFORMATION CONTAINED THEREIN IS CONFIDENTIAL AND MUST NOT BE REPRODUCED, COPIED OR USED FOR ANY PURPOSE WHATSOEVER WITHOUT THE PRIOR PERMISSION OF BARTINGTON INSTRUMENTS LTD.

THIRD ANGLE PROJECTION	
UNTOLERANCED:	
DIMENSIONS	±0.1
ANGLES	±0.5
MATERIAL	

DIMENSIONS IN mm	DO NOT SCALE
ORIGINAL SCALE	NTS
SURFACE TEXTURE	µm
FINISH:	

DRAWN:	<i>Daniel Cetnik</i>
MODIFIED:	<i>Daniel Cetnik</i>
CHECKED:	<i>Munir Khaled</i>

CONFIDENTIALITY	
TITLE	Mag-03MSS-TC Outline Drawing

USED ON	Mag-03MSS-TC	PROJECT No	D1209
DATE DRAWN	27/02/2013		
DATE MODIFIED	26/04/2013		
SAGE/PART No	SC-03-10-2800		
DRAWING No	DR3000	ISSUE	2
			SEE DCN NUMBER FOR DESIGN CHANGE HISTORY